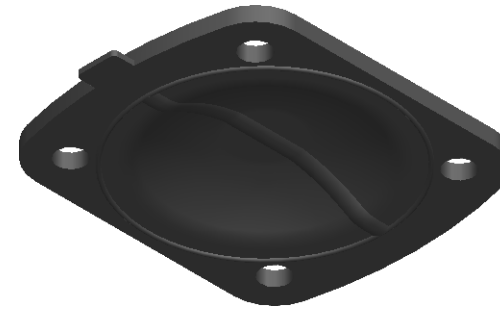
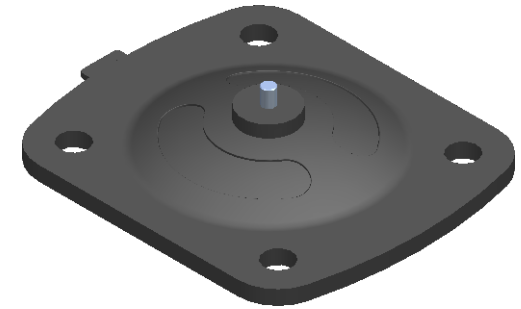
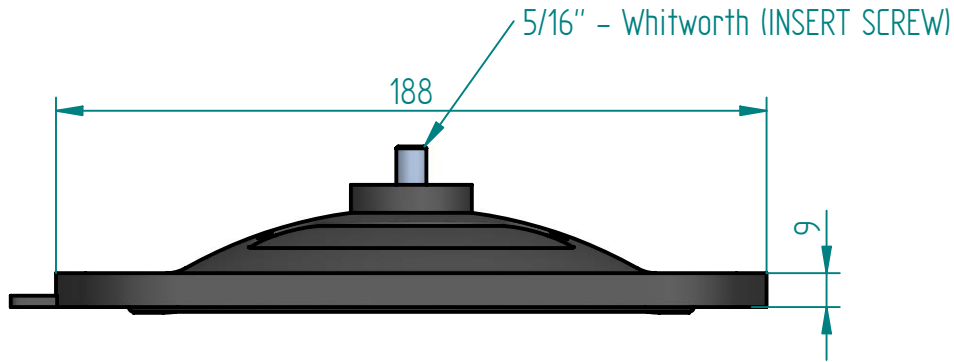


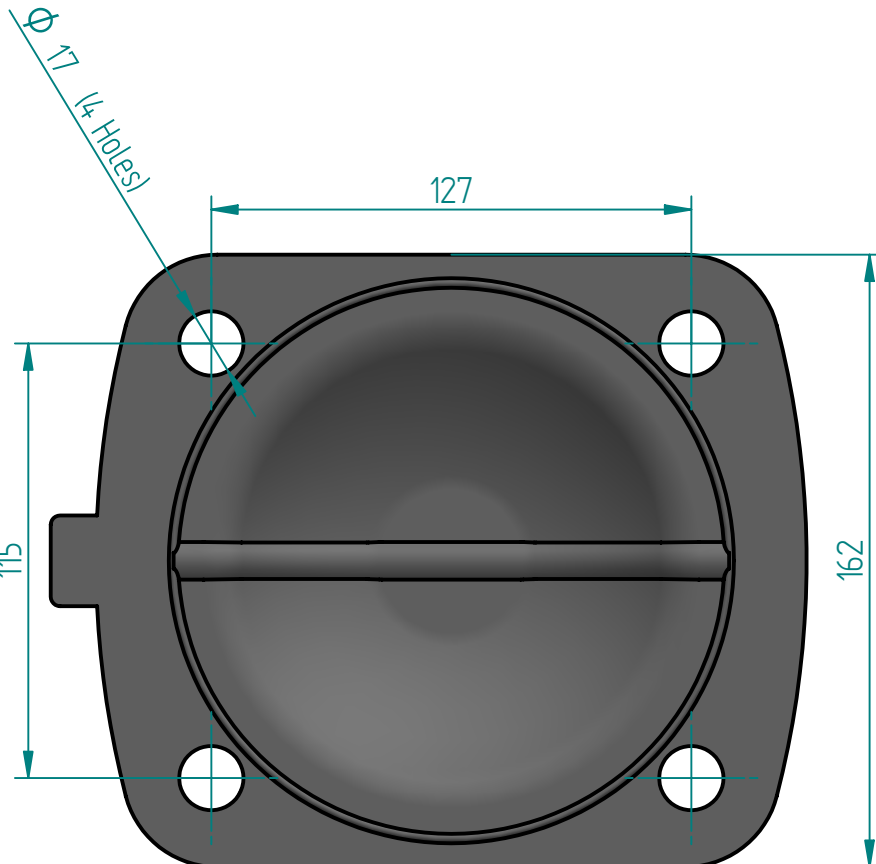
REVISION HISTORY


REV	DESCRIPTION	DATE	APPROVED



Scale
1:3.33

Replacement Diaphragm for :-
OEM PART NUMBER = 3.000-EF
USED ON 3" (DN80) Diaphragm Valve



	NAME	DATE	 DIAPHRAGM DIRECT	
DRAWN	M.MC KEON	08/21/14		
CHECKED			TITLE	
Material - EPDM			DD30-SE7	
Complies with CFR 177.2600 and Conforms to USP Class VI Biological Reactivity Tests Section #87 and #88			SIZE A	FOOT PRINT DIMENSIONS
			REV C	
			FILE NAME: DD30-SE7.dft	
SCALE: 1:2 (mm)		ECO:0605	SHEET 1 OF 1	

Disclaimer - Diaphragm Direct® does not manufacture, represent, nor sell OEM valves or diaphragms manufactured by any other company. Diaphragm Direct® brand diaphragms are not sponsored by any other manufacturers. Any name, model, part number, brand, image, material or referral is for descriptive purposes only. Diaphragm Direct® brand replacement diaphragms are guaranteed to fit OEM equipment and meet or exceed OEM specifications. Diaphragm Direct® brand replacement diaphragms are covered by the standard Diaphragm Direct® limited product warranty.