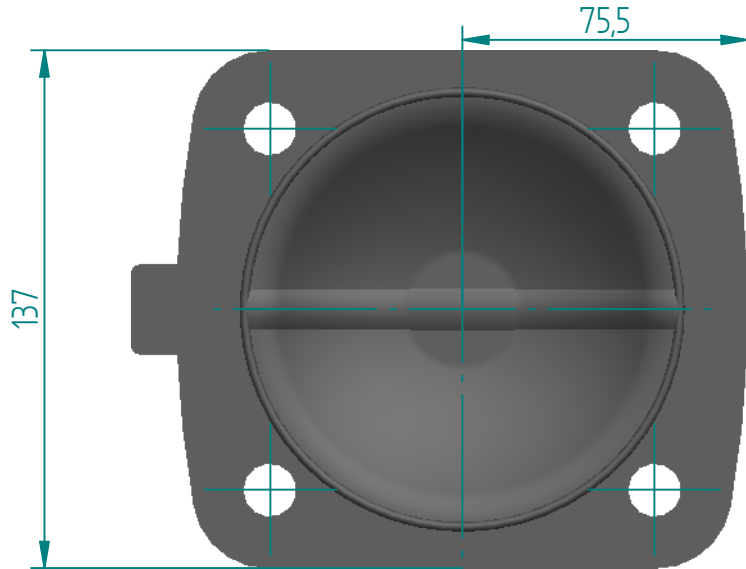
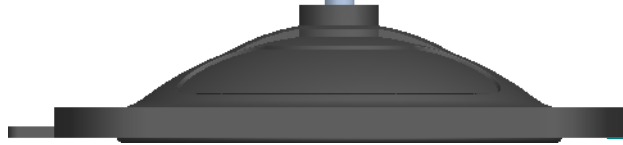


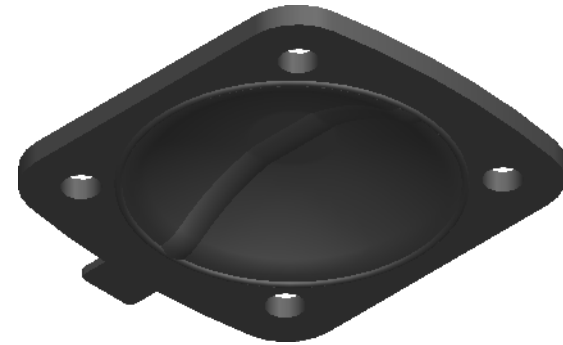
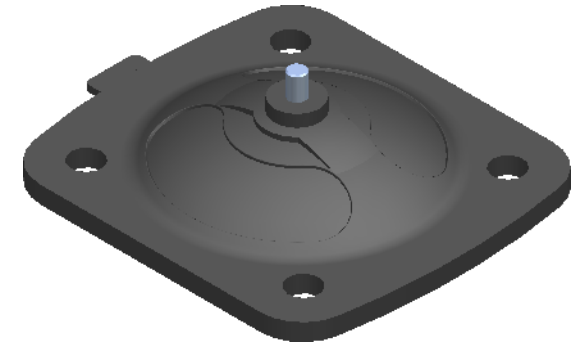
ϕ 14 14 Holes!

5/16" - Whitworth (INSERT SCREW)



REVISION HISTORY

REV	DESCRIPTION	DATE	APPROVED



Scale
1:2.5

Replacement Diaphragm for :-
OEM PART = 2.500-EF
USED ON 2.5" (DN65) Diaphragm Valve

	NAME	DATE
DRAWN	M.MC KEON	08/21/14
CHECKED		

Material - EPDM

Complies with CFR 177.2600
and Conforms to
USP Class VI Biological Reactivity
Tests Section #87 and #88



TITLE DD25-SE7		
SIZE A	FOOT PRINT DIMENSIONS	REV C
FILE NAME: DD25-SE7.dft		
SCALE: 1:2 (mm)	ECO:0605	SHEET 1 OF 1

Disclaimer - Diaphragm Direct® does not manufacture, represent, nor sell OEM valves or diaphragms manufactured by any other company. Diaphragm Direct® brand diaphragms are not sponsored by any other manufacturers. Any name, model, part number, brand, image, material or referral is for descriptive purposes only. Diaphragm Direct® brand replacement diaphragms are guaranteed to fit OEM equipment and meet or exceed OEM specifications. Diaphragm Direct® brand replacement diaphragms are covered by the standard Diaphragm Direct® limited product warranty.