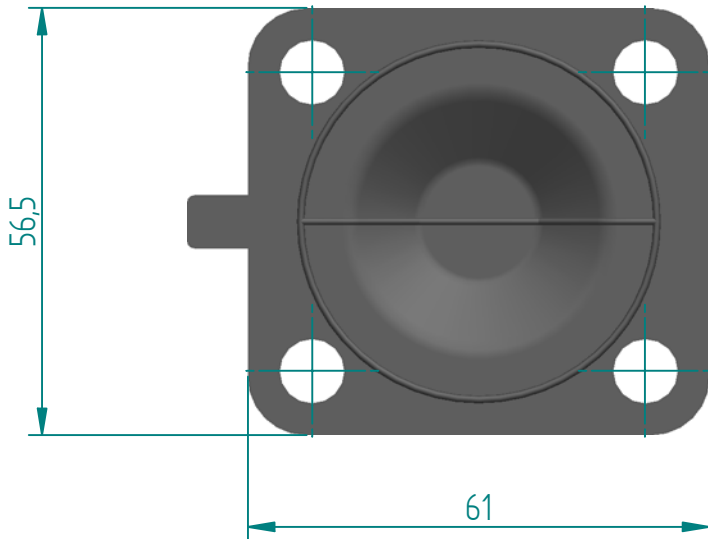
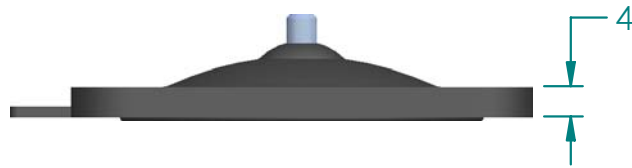
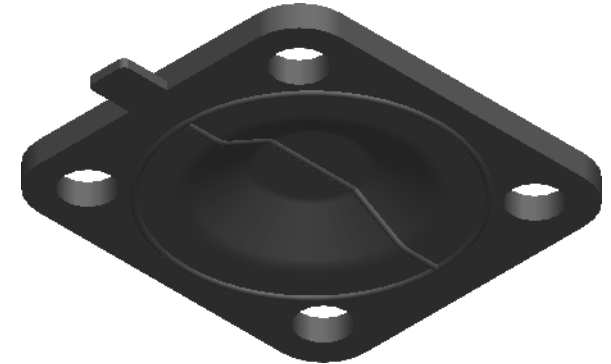
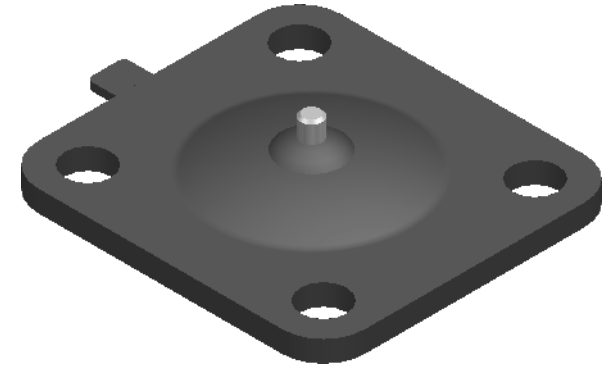
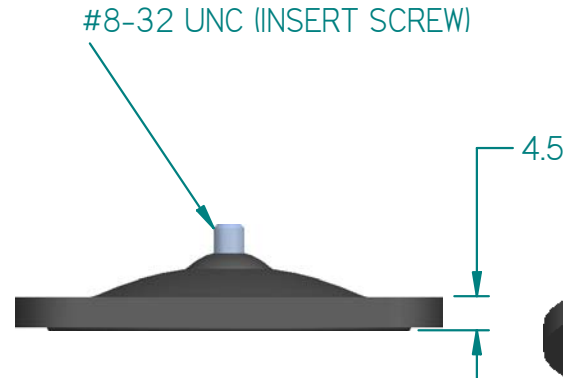
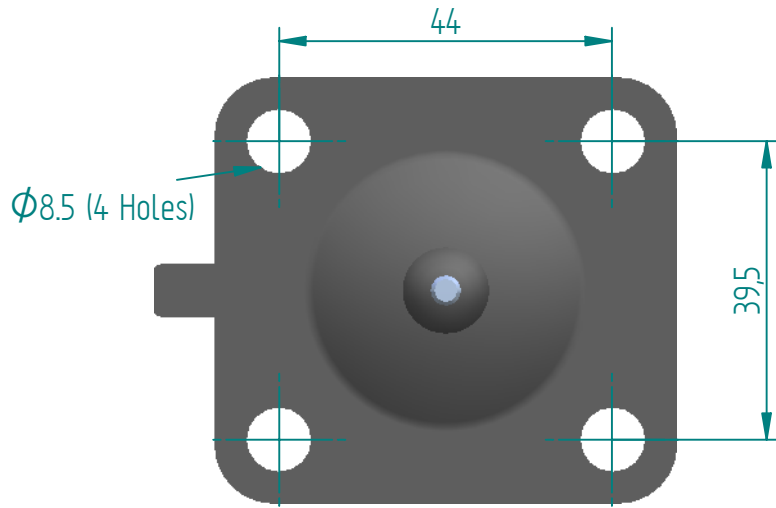


REVISION HISTORY

REV	DESCRIPTION	DATE	APPROVED



Replacement Diaphragm for :-

OEM PART = 41282 or 46604

USED ON 3/4" (DN20) Diaphragm Valve

	NAME	DATE
DRAWN	M.MC KEON	08/21/14
CHECKED		



**Material - EPDM**

Complies with CFR 177.2600  
and Conforms to  
USP Class VI Biological Reactivity  
Tests Section #87 and #88

TITLE **DD07-IE7**

SIZE A **FOOT PRINT DIMENSIONS** REV B

FILE NAME: DD07-IE7.dft

SCALE: 1 : 1 ECO:0605 SHEET 1 OF 1

Disclaimer - Diaphragm Direct® does not manufacture, represent, nor sell OEM valves or diaphragms manufactured by any other company. Diaphragm Direct® brand diaphragms are not sponsored by any other manufacturers. Any name, model, part number, brand, image, material or referral is for descriptive purposes only. Diaphragm Direct® brand replacement diaphragms are guaranteed to fit OEM equipment and meet or exceed OEM specifications. Diaphragm Direct® brand replacement diaphragms are covered by the standard Diaphragm Direct® limited product warranty.