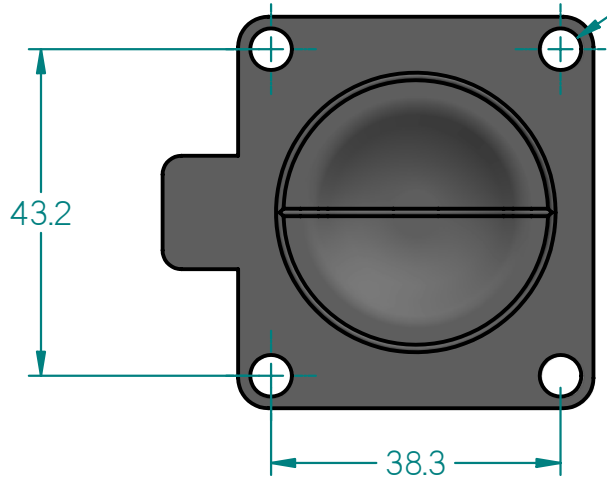
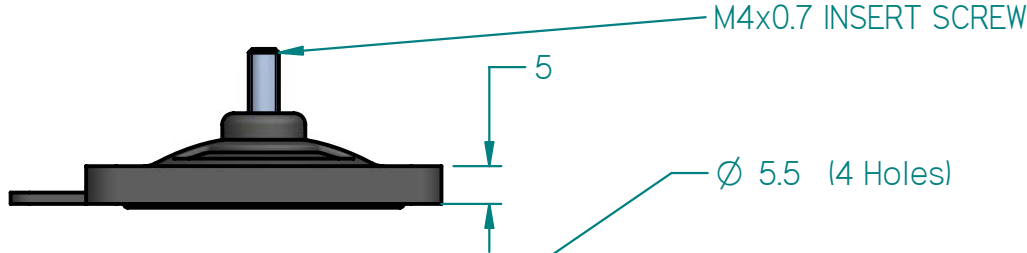
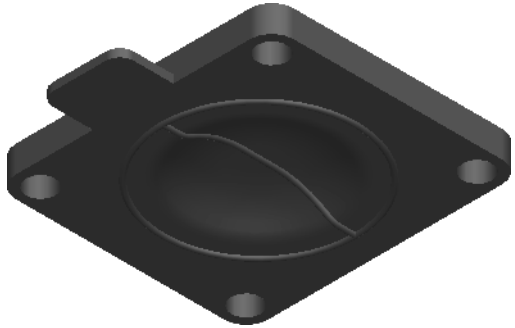
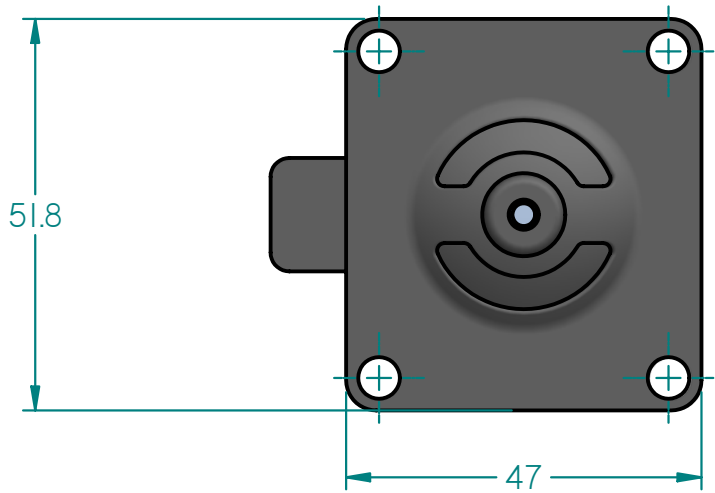



REVISION HISTORY			
REV	DESCRIPTION	DATE	APPROVED



Replacement Diaphragm for :-
 OEM PART NUMBER = 60010-M-13
 USED ON 3/4" (DN10-15) Diaphragm Valve

	NAME	DATE	 DIAPHRAGM DIRECT
DRAWN	M.MC KEON	02/11/15	
CHECKED			
Material - EPDM Complies with CFR 177.2600 and Conforms to USP Class VI Biological Reactivity Tests Section #87 and #88			TITLE DD07-GE7-WR "With Circular Outline"
SIZE A		FOOT PRINT DIMENSIONS	REV B
FILE NAME: DD07-GE7-WR.dft			
SCALE: 1 : 1		ECO:0605	SHEET 1 OF 1

Disclaimer - Diaphragm Direct® does not manufacture, represent, nor sell OEM valves or diaphragms manufactured by any other company. Diaphragm Direct® brand diaphragms are not sponsored by any other manufacturers. Any name, model, part number, brand, image, material or referral is for descriptive purposes only. Diaphragm Direct® brand replacement diaphragms are guaranteed to fit OEM equipment and meet or exceed OEM specifications. Diaphragm Direct® brand replacement diaphragms are covered by the standard Diaphragm Direct® limited product warranty.