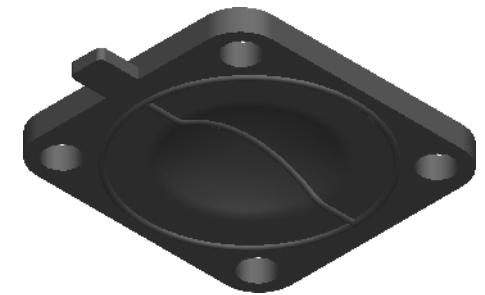
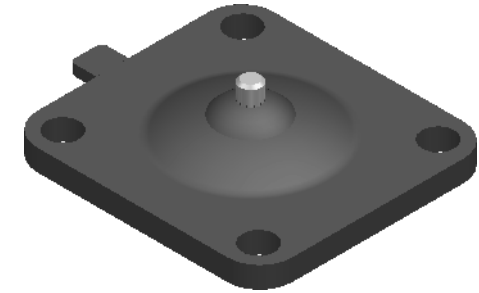
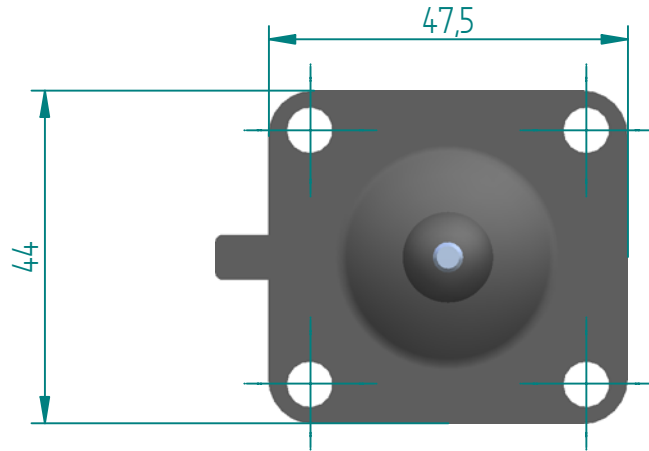
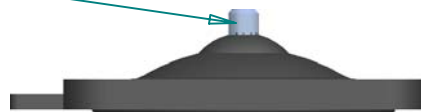


REVISION HISTORY

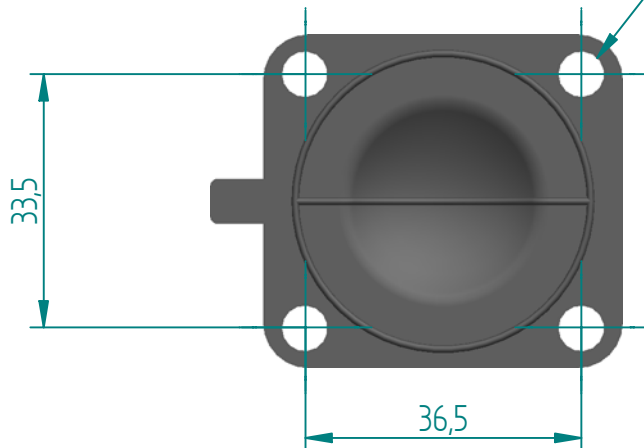
REV	DESCRIPTION	DATE	APPROVED



#8-32 UNC (INSERT SCREW)



Ø6 (4 Holes)



Replacement Diaphragm for :-
 OEM PART = 41281 or 46603
 USED ON 1/2" (DN15) Diaphragm Valve

	NAME	DATE
DRAWN	M.MC KEON	09/29/14
CHECKED		



Material - EPDM

TITLE **DD05-IE7**

Complies with CFR 177.2600
 and Conforms to
 USP Class VI Biological Reactivity
 Tests Section #87 and #88

SIZE A	FOOT PRINT DIMENSIONS	REV B
--------	------------------------------	-------

FILE NAME: DD05-IE7.dft

SCALE: None	ECC:0605	SHEET 1 OF 1
-------------	----------	--------------

Disclaimer - Diaphragm Direct® does not manufacture, represent, nor sell OEM valves or diaphragms manufactured by any other company. Diaphragm Direct® brand diaphragms are not sponsored by any other manufacturers. Any name, model, part number, brand, image, material or referral is for descriptive purposes only. Diaphragm Direct® brand replacement diaphragms are guaranteed to fit OEM equipment and meet or exceed OEM specifications. Diaphragm Direct® brand replacement diaphragms are covered by the standard Diaphragm Direct® limited product warranty.