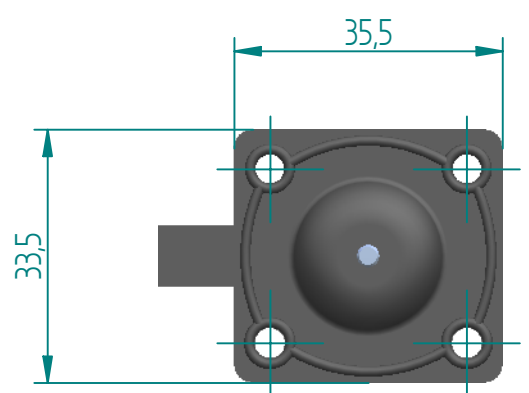
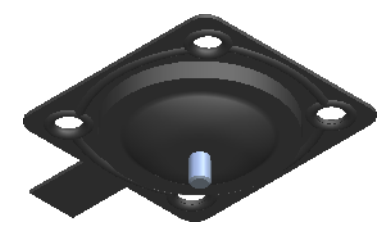
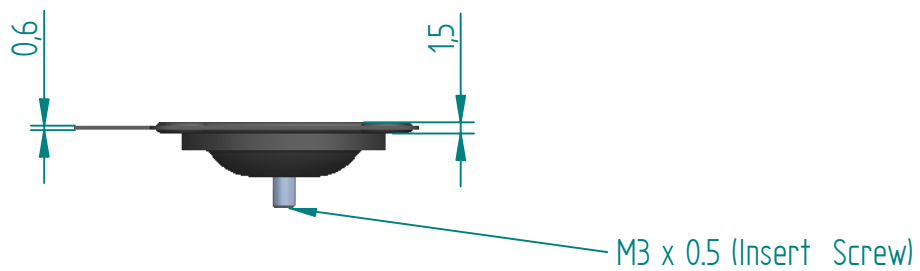
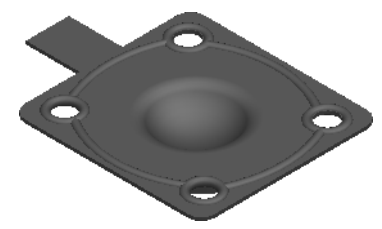
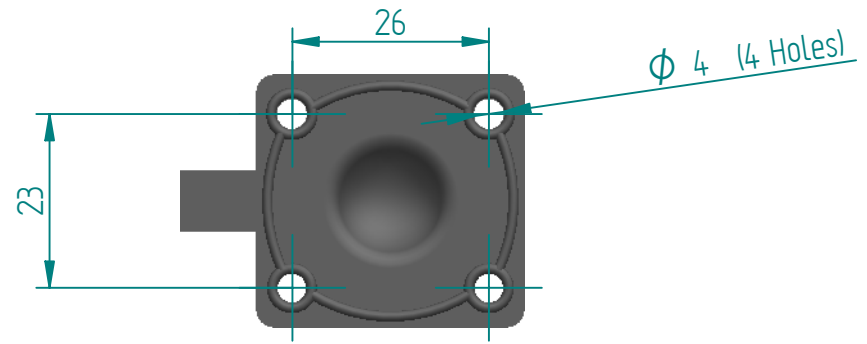


REVISION HISTORY

REV	DESCRIPTION	DATE	APPROVED



Replacement Diaphragm for :-

OEM PART = BE9

USED ON 1/4", 3/8", 1/2" (DN8,10,15,) Diaphragm Valve

	NAME	DATE
DRAWN	M.MC KEON	09/19/14
CHECKED		



Material - EPDM

Complies with CFR 177.2600
and Conforms to
USP Class VI Biological Reactivity
Tests Section #87 and #88

TITLE
DD03-SE7-T

SIZE A	FOOT PRINT DIMENSIONS	REV B
--------	------------------------------	-------

FILE NAME: DD03-SE7-T.dft

SCALE: 1 : 1	ECC:0605	SHEET 1 OF 1
--------------	----------	--------------

Disclaimer - Diaphragm Direct® does not manufacture, represent, nor sell OEM valves or diaphragms manufactured by any other company. Diaphragm Direct® brand diaphragms are not sponsored by any other manufacturers. Any name, model, part number, brand, image, material or referral is for descriptive purposes only. Diaphragm Direct® brand replacement diaphragms are guaranteed to fit OEM equipment and meet or exceed OEM specifications. Diaphragm Direct® brand replacement diaphragms are covered by the standard Diaphragm Direct® limited product warranty.