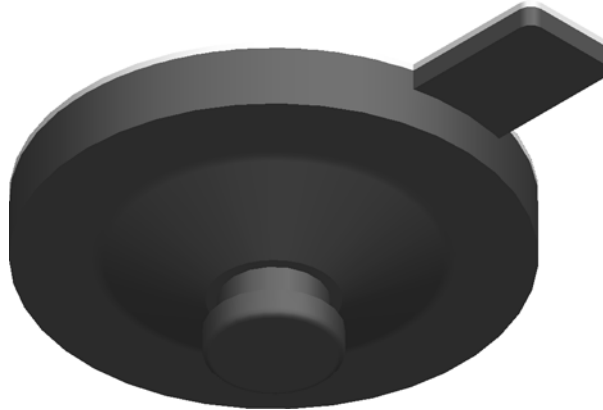
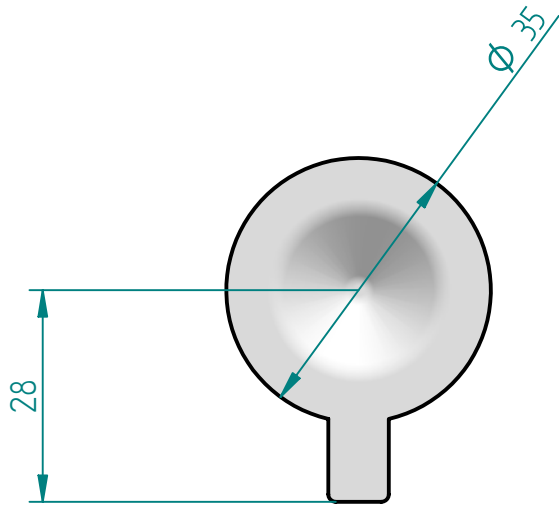
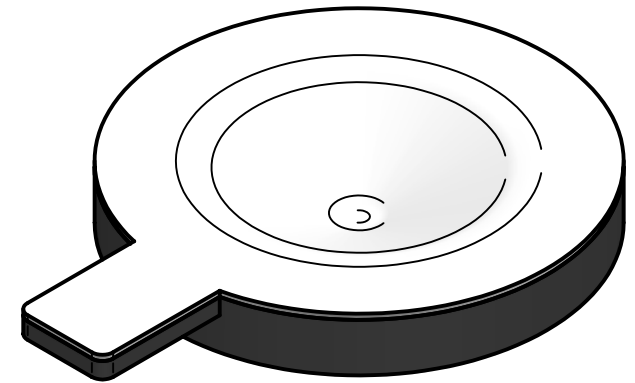


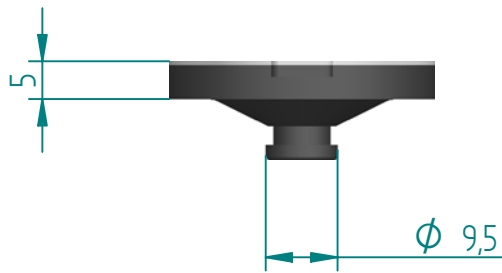
REVISION HISTORY			
REV	DESCRIPTION	DATE	APPROVED




SCALE
2:1



Replacement Diaphragm for :-
DN10 ROUND Diaphragm Valve



	NAME	DATE	 DIAPHRAGM DIRECT	
DRAWN	M. MC KEON	08/21/14		
CHECKED			TITLE DD02-STFML	
Material - EPDM BACKING TFM-DIAPHRAGM			SIZE A	REV C
Complies with CFR 177.2600 and Conforms to USP Class VI Biological Reactivity Tests Section #87 and #88			FOOT PRINT DIMENSIONS FILE NAME: DD02-STFMRL.dft	
SCALE: 1:1 (mm)		ECO:0605	SHEET 1 OF 1	

Disclaimer - Diaphragm Direct® does not manufacture, represent, nor sell OEM valves or diaphragms manufactured by any other company. Diaphragm Direct® brand diaphragms are not sponsored by any other manufacturers. Any name, model, part number, brand, image, material or referral is for descriptive purposes only. Diaphragm Direct® brand replacement diaphragms are guaranteed to fit OEM equipment and meet or exceed OEM specifications. Diaphragm Direct® brand replacement diaphragms are covered by the standard Diaphragm Direct® limited product warranty.