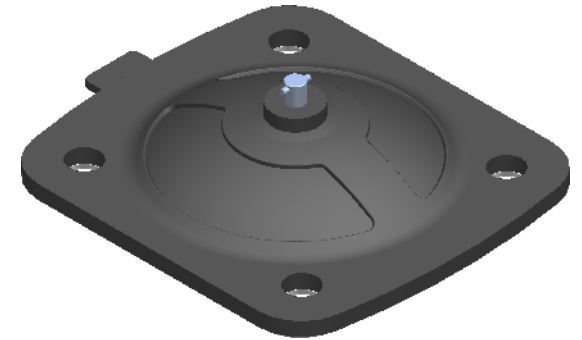
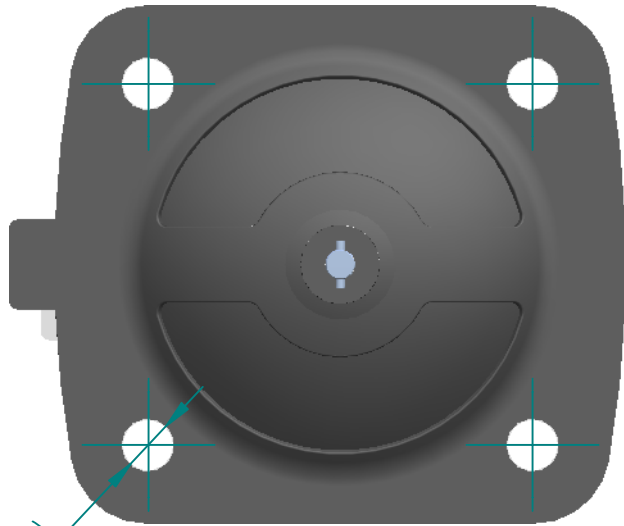


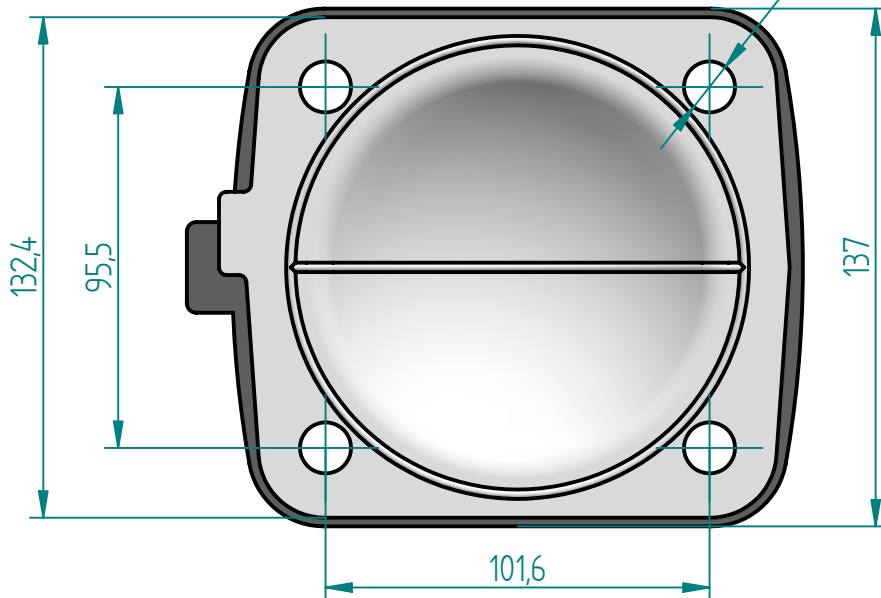
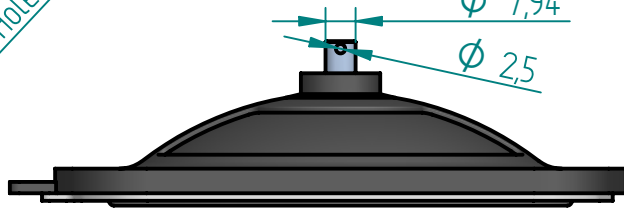
REVISION HISTORY

REV	DESCRIPTION	DATE	APPROVED



Scale
1:2.5

ϕ 14 (4 Holes)
 ϕ 7,94
 ϕ 2,5
 ϕ 13,5 (4 Holes)



Replacement Diaphragm for :-

OEM PART = 2.500-P2

USED ON 2.5" (DN65) Diaphragm Valve

	NAME	DATE
DRAWN	M. MC KEON	08/21/14
CHECKED		



Material -
EPDM BACKING
TFM-DIAPHRAGM

TITLE	DD25-STFM	
SIZE	FOOT PRINT DIMENSIONS	REV C

Complies with CFR 177.2600
 and Conforms to
 USP Class VI Biological Reactivity
 Tests Section #87 and #88

FILE NAME: DD25-STFM.dft		
SCALE: 1:2 (mm)	ECO:0605	SHEET 1 OF 1

Disclaimer - Diaphragm Direct® does not manufacture, represent, nor sell OEM valves or diaphragms manufactured by any other company. Diaphragm Direct® brand diaphragms are not sponsored by any other manufacturers. Any name, model, part number, brand, image, material or referral is for descriptive purposes only. Diaphragm Direct® brand replacement diaphragms are guaranteed to fit OEM equipment and meet or exceed OEM specifications. Diaphragm Direct® brand replacement diaphragms are covered by the standard Diaphragm Direct® limited product warranty.