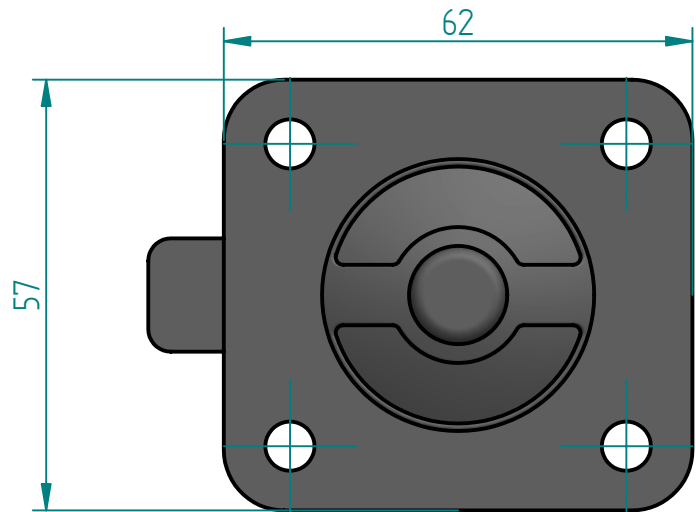
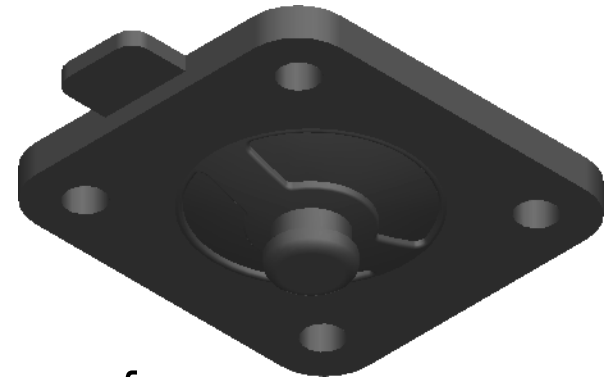
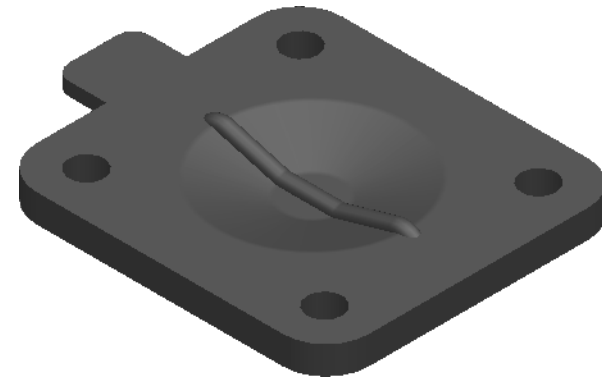


Ø 6,5 (4 HOLES)



Replacement Diaphragm for :-

OEM PART = 0.750-EF

USED ON 3/4" (DN20) Diaphragm Valve

REVISION HISTORY			
REV	DESCRIPTION	DATE	APPROVED

	NAME	DATE
DRAWN	M.MC KEON	08/21/14
CHECKED		



Material - EPDM

Complies with CFR 177.2600
and Conforms to
USP Class VI Biological Reactivity
Tests Section #87 and #88

TITLE		DD07-SE7	
SIZE A	FOOT PRINT DIMENSIONS		REV B
FILE NAME: DD07-SE7.dft			
SCALE: 1 : 1	ECO:0605	SHEET 1 OF 1	

Disclaimer - Diaphragm Direct® does not manufacture, represent, nor sell OEM valves or diaphragms manufactured by any other company. Diaphragm Direct® brand diaphragms are not sponsored by any other manufacturers. Any name, model, part number, brand, image, material or referral is for descriptive purposes only. Diaphragm Direct® brand replacement diaphragms are guaranteed to fit OEM equipment and meet or exceed OEM specifications. Diaphragm Direct® brand replacement diaphragms are covered by the standard Diaphragm Direct® limited product warranty.